

JOSEPH GILES



A Guide to Hanging Rails

THE ENGLISH TAPWARE COMPANY

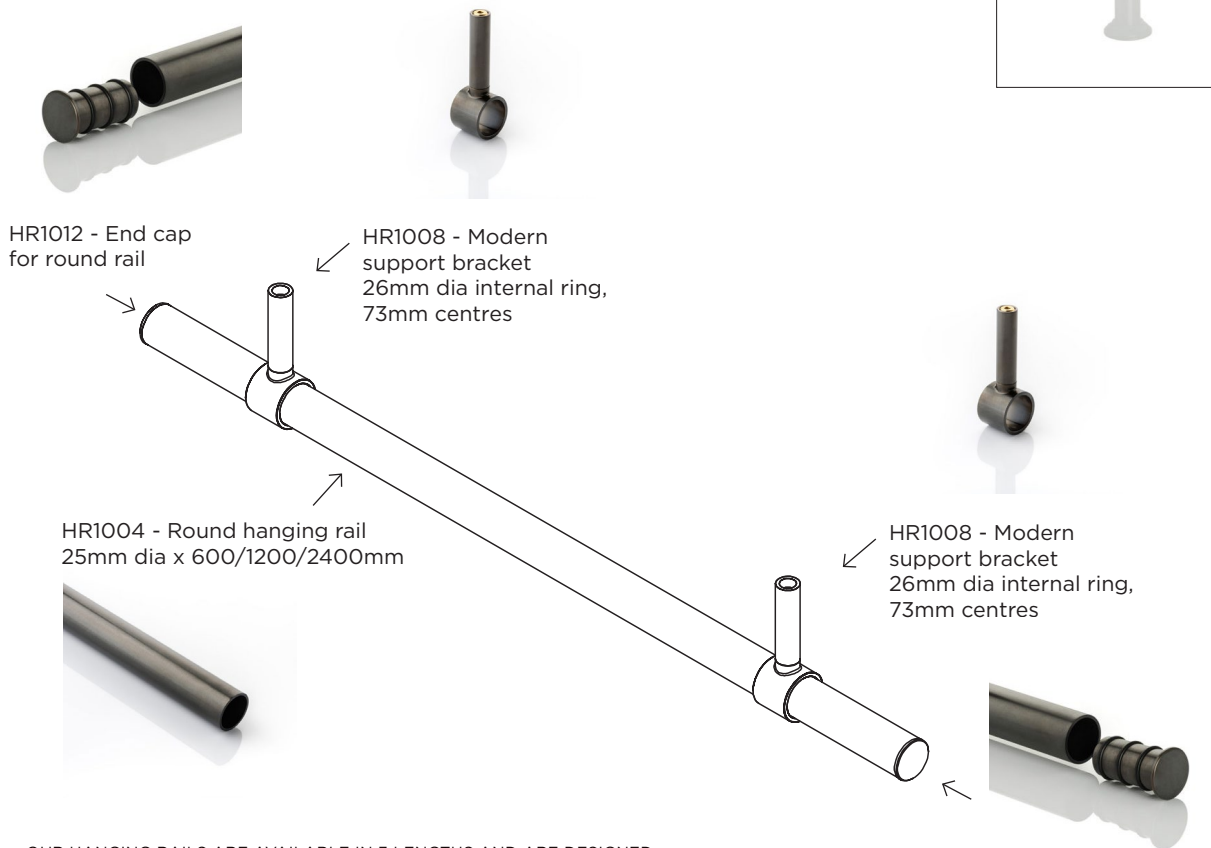
170 QUEEN ST, WOOLLAHRA, SYDNEY 2025 • 751 HIGH ST, ARMADALE, MELBOURNE 3143 • www.englishtapware.com.au

JOSEPH GILES

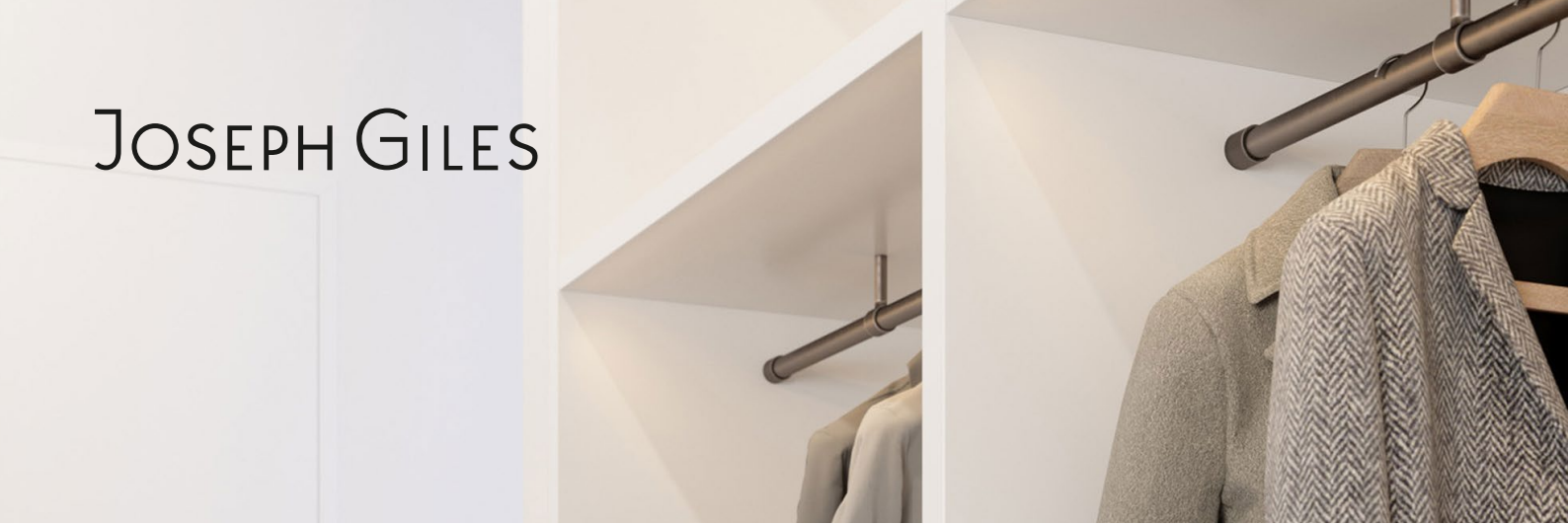


MODERN ROUND HANGING RAIL - FLOATING ENDS

EXAMPLE LAYOUT CODE: HREX1



- OUR HANGING RAILS ARE AVAILABLE IN 3 LENGTHS AND ARE DESIGNED TO BE CUT DOWN TO THE REQUIRED SIZE.
- WE ADVISE USING A SUPPORT BRACKET WHEN THE LENGTH OF THE RAIL IS MORE THAN 1200MM, OR IF THERE ARE PARTICULARLY HEAVY GARMENTS.
- EACH PIECE IS SUPPLIED WITH THE NECESSARY FIXINGS, ONCE INSTALLED THE FIXINGS ARE CONCEALED FROM VIEW.

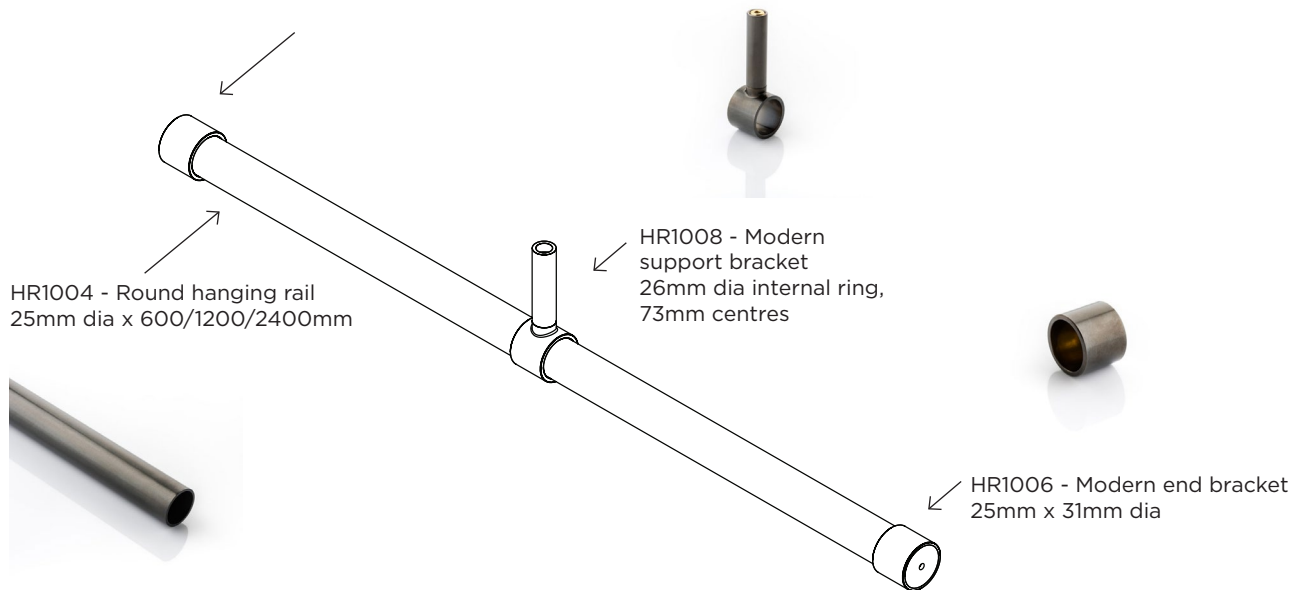


MODERN ROUND HANGING RAIL - FIXED ENDS

EXAMPLE LAYOUT CODE: HREX2



HR1006 - Modern end bracket
25mm x 31mm dia



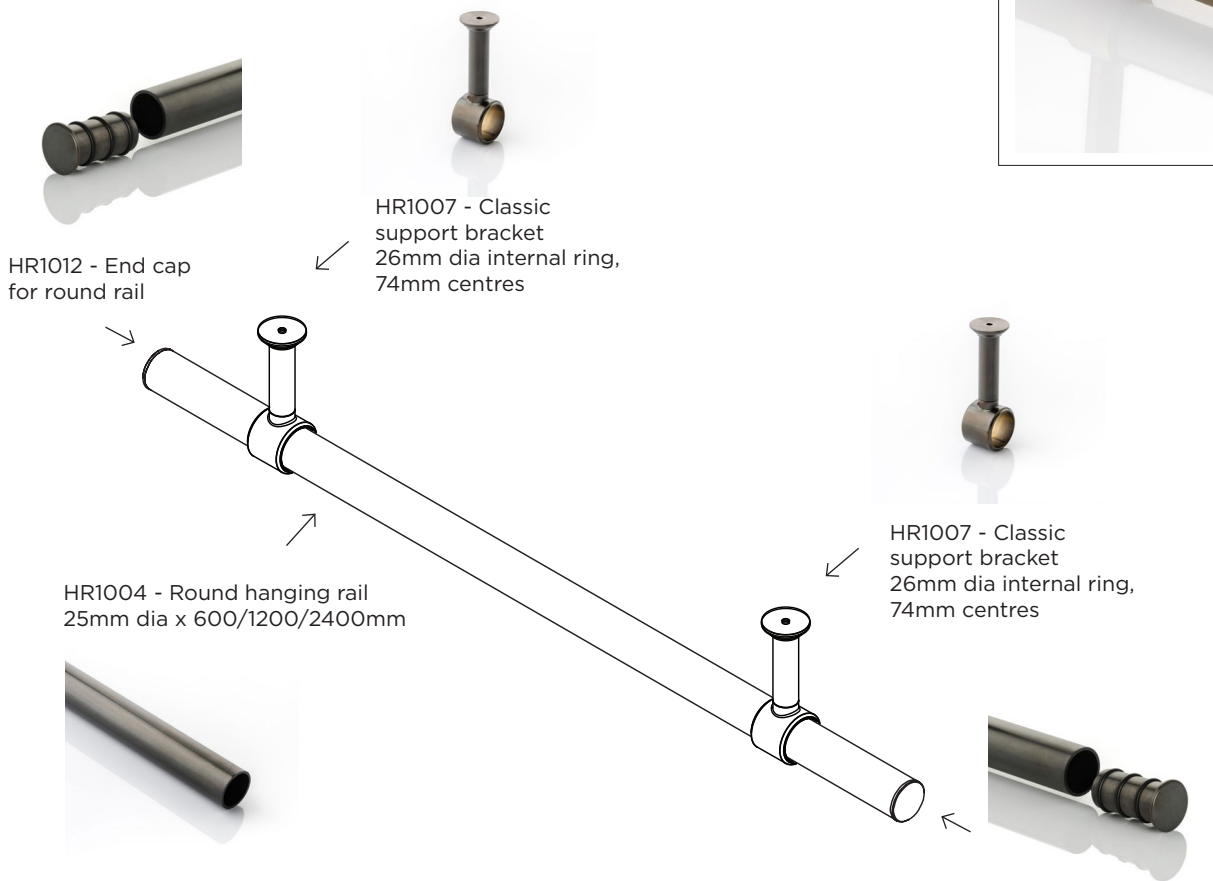
- OUR HANGING RAILS ARE AVAILABLE IN 3 LENGTHS AND ARE DESIGNED TO BE CUT DOWN TO THE REQUIRED SIZE.
- WE ADVISE USING A SUPPORT BRACKET WHEN THE LENGTH OF THE RAIL IS MORE THAN 1200MM, OR IF THERE ARE PARTICULARLY HEAVY GARMENTS.
- EACH PIECE IS SUPPLIED WITH THE NECESSARY FIXINGS, ONCE INSTALLED THE FIXINGS ARE CONCEALED FROM VIEW.

JOSEPH GILES



CLASSIC ROUND HANGING RAIL - FLOATING ENDS

EXAMPLE LAYOUT CODE: HREX3



- OUR HANGING RAILS ARE AVAILABLE IN 3 LENGTHS AND ARE DESIGNED TO BE CUT DOWN TO THE REQUIRED SIZE.
- WE ADVISE USING A SUPPORT BRACKET WHEN THE LENGTH OF THE RAIL IS MORE THAN 1200MM, OR IF THERE ARE PARTICULARLY HEAVY GARMENTS.
- EACH PIECE IS SUPPLIED WITH THE NECESSARY FIXINGS, ONCE INSTALLED THE FIXINGS ARE CONCEALED FROM VIEW.

HR1012 - End cap for round rail



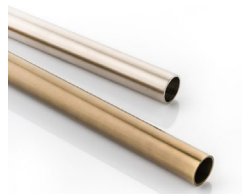
CLASSIC ROUND HANGING RAIL - FIXED ENDS

EXAMPLE LAYOUT CODE: HREX4



HR1005 - Classic end bracket
43mm dia x 25mm

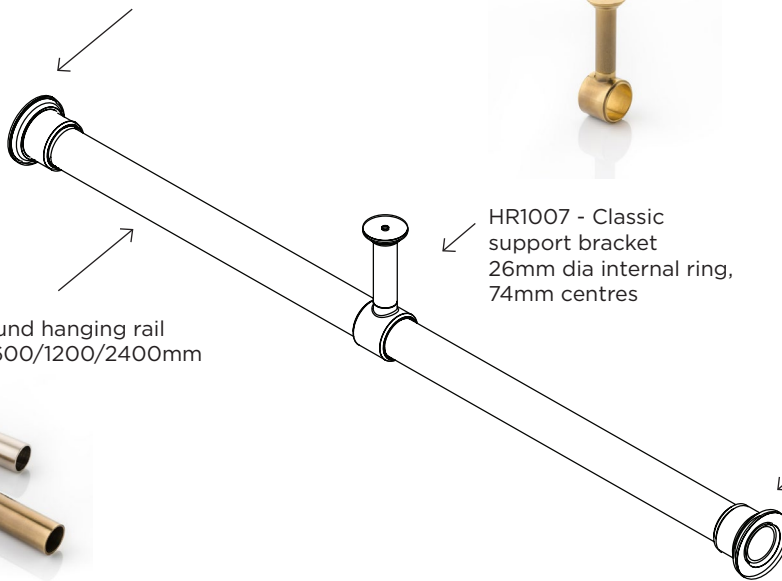
HR1004 - Round hanging rail
25mm dia x 600/1200/2400mm



HR1007 - Classic support bracket
26mm dia internal ring,
74mm centres



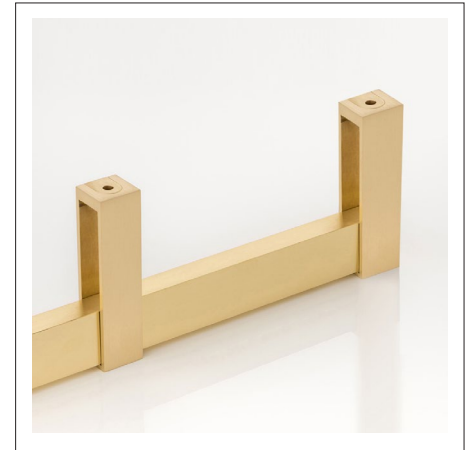
HR1005 - Classic end bracket
43mm dia x 25mm



- OUR HANGING RAILS ARE AVAILABLE IN 3 LENGTHS AND ARE DESIGNED TO BE CUT DOWN TO THE REQUIRED SIZE.
- WE ADVISE USING A SUPPORT BRACKET WHEN THE LENGTH OF THE RAIL IS MORE THAN 1200MM, OR IF THERE ARE PARTICULARLY HEAVY GARMENTS.
- EACH PIECE IS SUPPLIED WITH THE NECESSARY FIXINGS, ONCE INSTALLED THE FIXINGS ARE CONCEALED FROM VIEW.

RECTANGULAR HANGING RAIL - HANGING ENDS

EXAMPLE LAYOUT CODE: HREX5

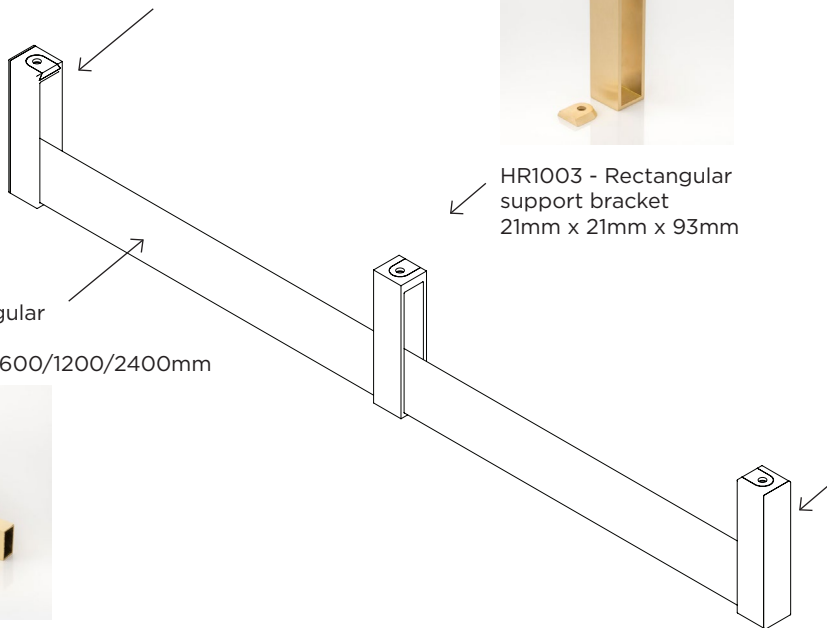


HR1009 - Rectangular end bracket (LH)
21mm x 21mm x 93mm



HR1003 - Rectangular support bracket
21mm x 21mm x 93mm

HR1001 - Rectangular hanging rail
15mm x 30mm x 600/1200/2400mm



HR1009 - Rectangular end bracket (RH)
21mm x 21mm x 93mm

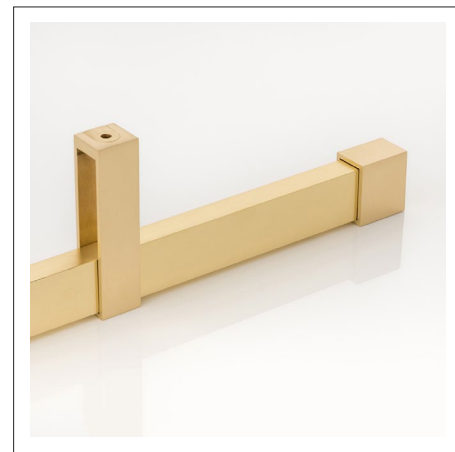


- OUR HANGING RAILS ARE AVAILABLE IN 3 LENGTHS AND ARE DESIGNED TO BE CUT DOWN TO THE REQUIRED SIZE.
- WE ADVISE USING A SUPPORT BRACKET WHEN THE LENGTH OF THE RAIL IS MORE THAN 1200MM, OR IF THERE ARE PARTICULARLY HEAVY GARMENTS.
- EACH PIECE IS SUPPLIED WITH THE NECESSARY FIXINGS, ONCE INSTALLED THE FIXINGS ARE CONCEALED FROM VIEW.



RECTANGULAR HANGING RAIL - FIXED ENDS

EXAMPLE LAYOUT CODE: HREX6

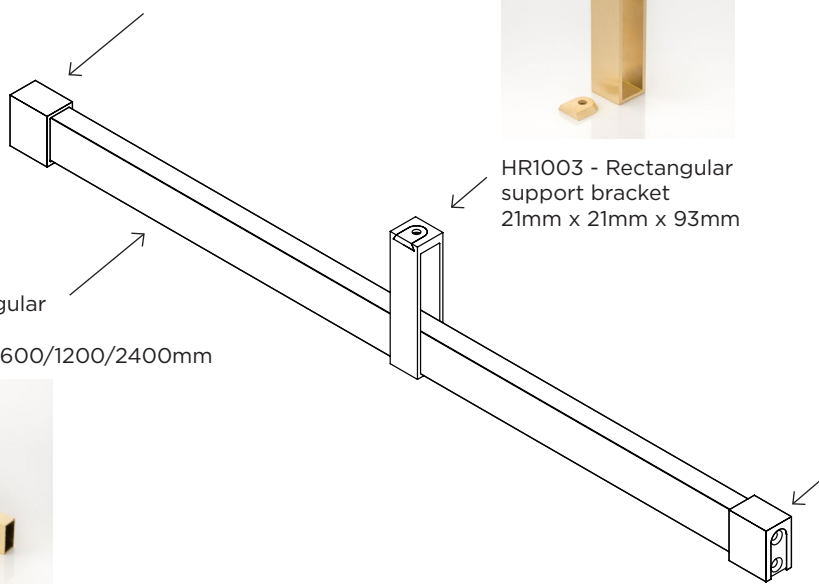


HR1002 - Rectangular end bracket
30mm x 21mm x 36mm



HR1003 - Rectangular support bracket
21mm x 21mm x 93mm

HR1001 - Rectangular hanging rail
15mm x 30mm x 600/1200/2400mm



HR1002 - Rectangular end bracket
30mm x 21mm x 36mm



- OUR HANGING RAILS ARE AVAILABLE IN 3 LENGTHS AND ARE DESIGNED TO BE CUT DOWN TO THE REQUIRED SIZE.
- WE ADVISE USING A SUPPORT BRACKET WHEN THE LENGTH OF THE RAIL IS MORE THAN 1200MM, OR IF THERE ARE PARTICULARLY HEAVY GARMENTS.
- EACH PIECE IS SUPPLIED WITH THE NECESSARY FIXINGS, ONCE INSTALLED THE FIXINGS ARE CONCEALED FROM VIEW.

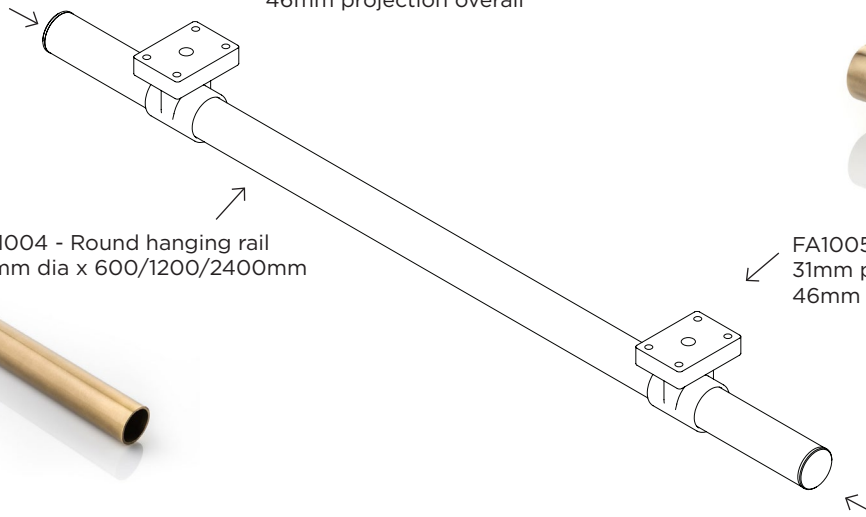


FURNITURE RAIL - FLOATING ENDS Specification Guide



HR1012 - End cap
for round rail

FA1005 - Rail bracket
31mm projection centres
46mm projection overall



HR1004 - Round hanging rail
25mm dia x 600/1200/2400mm



FA1005 - Rail bracket
31mm projection centres
46mm projection overall

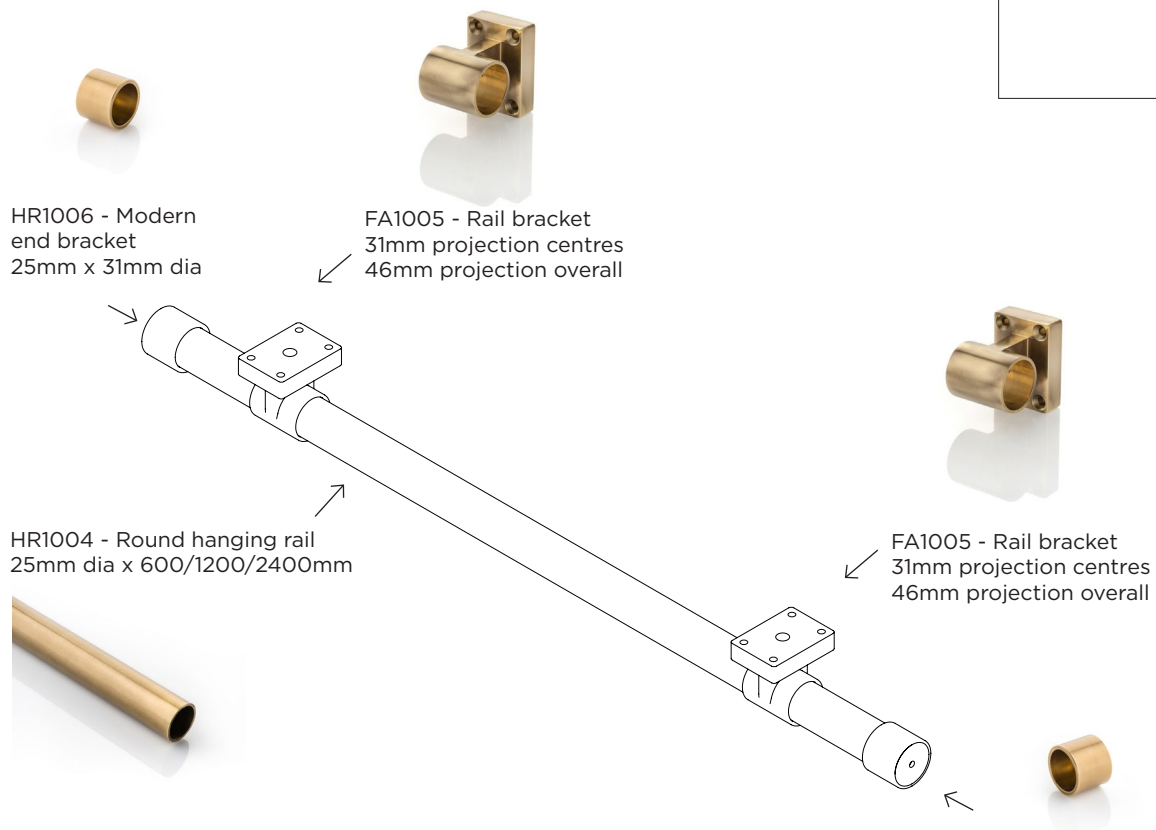


HR1012 - End cap for
round rail

- OUR FURNITURE RAILS ARE AVAILABLE IN 3 LENGTHS AND ARE DESIGNED TO BE CUT DOWN TO THE REQUIRED SIZE.
- WE ADVISE USING A SUPPORT BRACKET WHEN THE LENGTH OF THE RAIL IS MORE THAN 1200MM, OR IF THERE ARE PARTICULARLY HEAVY POTS & PANS.
- EACH PIECE IS SUPPLIED WITH THE NECESSARY FIXINGS, ONCE INSTALLED THE FIXINGS ARE CONCEALED FROM VIEW.



FURNITURE RAIL - FLOATING ENDS Specification Guide



HR1006 - Modern end bracket
25mm x 31mm dia

FA1005 - Rail bracket
31mm projection centres
46mm projection overall

HR1004 - Round hanging rail
25mm dia x 600/1200/2400mm

FA1005 - Rail bracket
31mm projection centres
46mm projection overall

HR1006 - Modern end bracket
25mm x 31mm dia

- OUR FURNITURE RAILS ARE AVAILABLE IN 3 LENGTHS AND ARE DESIGNED TO BE CUT DOWN TO THE REQUIRED SIZE.
- WE ADVISE USING A SUPPORT BRACKET WHEN THE LENGTH OF THE RAIL IS MORE THAN 1200MM, OR IF THERE ARE PARTICULARLY HEAVY POTS & PANS.
- EACH PIECE IS SUPPLIED WITH THE NECESSARY FIXINGS, ONCE INSTALLED THE FIXINGS ARE CONCEALED FROM VIEW.

THE ENGLISH TAPWARE COMPANY

170 QUEEN ST, WOOLLAHRA, SYDNEY 2025 • 751 HIGH ST, ARMADALE, MELBOURNE 3143 • www.englishtapware.com.au
