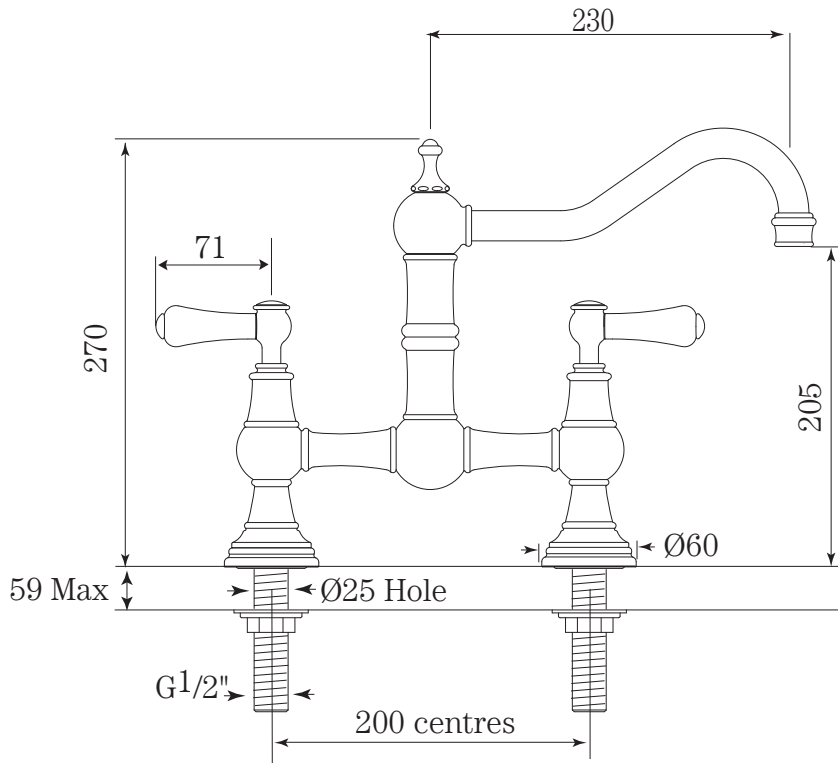




Specification Sheet - AU.4751 - Provence with levers

Specifications



- Premium quality tapware
- Made in England
- Produced from solid brass
- German quarter-turn ceramic disc valves. Min 5° - max 85° Celsius
- Suitable for low and uneven water pressure. Max inlet pressure 500 kpa
- Select from Chrome, Nickel, Pewter, Gold, English Bronze or uncoated bare brass
- Metal lever handles can be changed to porcelain or Corian as an optional extra
- Five year warranty

SUPPLIER INFORMATION: Phone 03 9818 1403 or visit www.englishtapware.com.au

