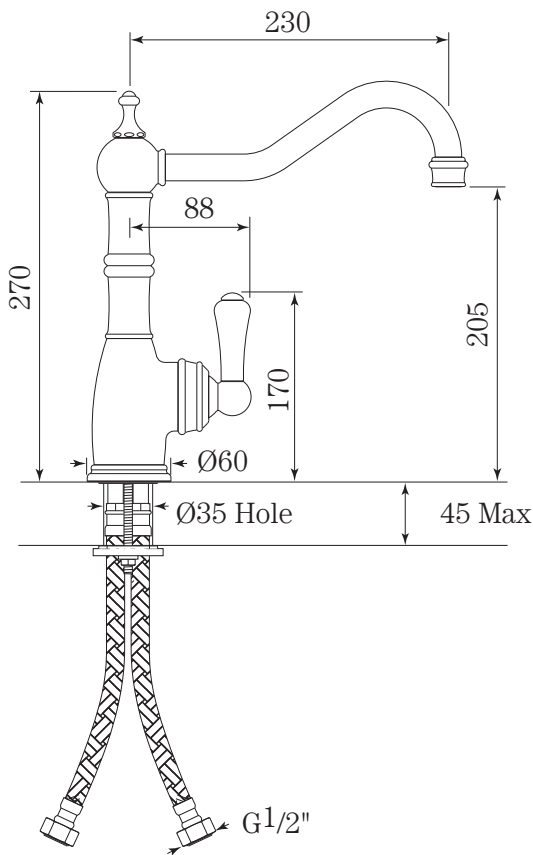




Specification Sheet - AU.4741 - Aquitaine

Specifications



The maximum benchtop thickness may be extended to 110mm by using the Perrin & Rowe extension kit.

- Premium quality tapware
- Made in England
- Produced from solid brass
- German ceramic disc valve. Min 5° - max 85° Celsius
- Suitable for low and uneven water pressure. Max inlet pressure 500 kpa
- Select from Chrome, Nickel, Pewter, Gold, English Bronze or uncoated bare brass
- Metal lever handle can be changed to porcelain or Corian as an optional extra
- The handle may be installed on the right side, left side or front of the body
- Five year warranty

SUPPLIER INFORMATION: Phone 03 9818 1403 or visit www.englishtapware.com.au

