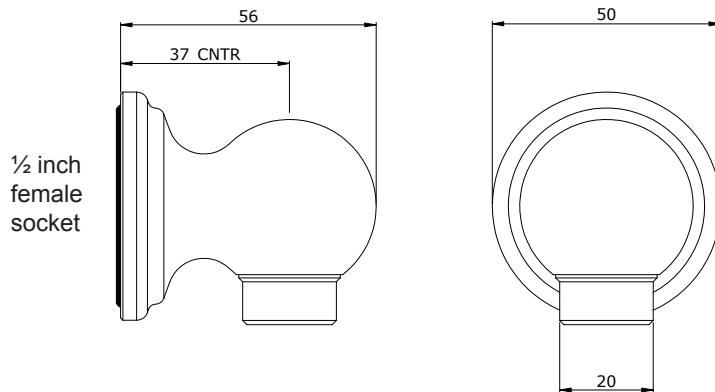
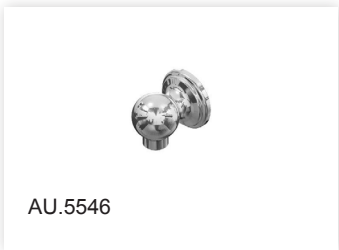
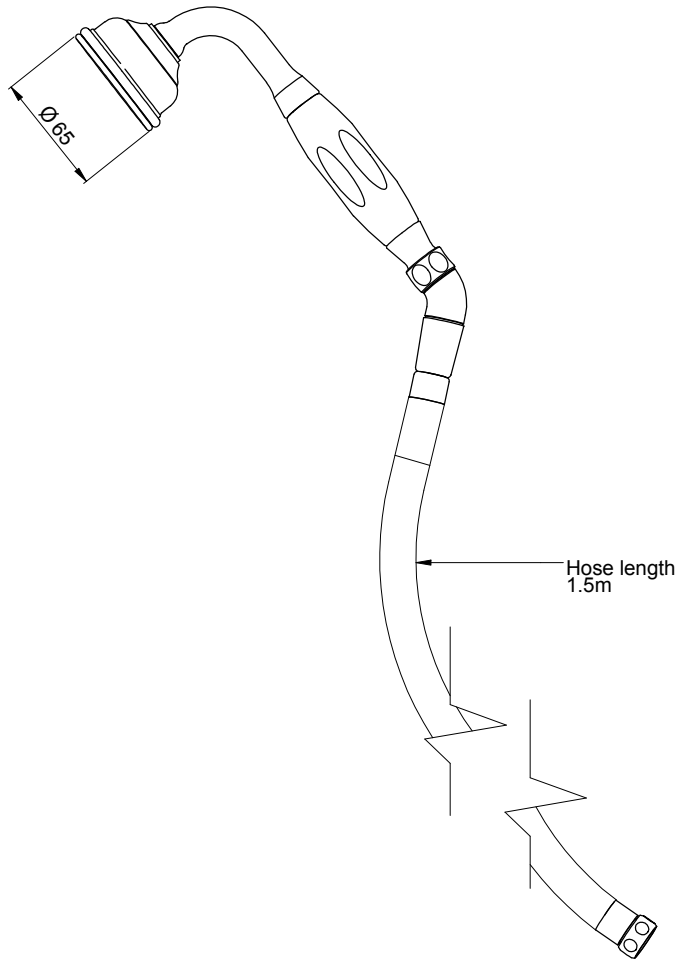
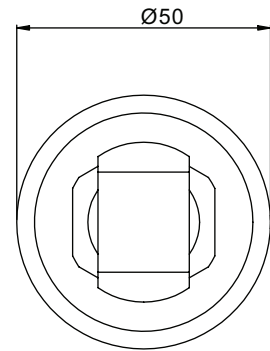
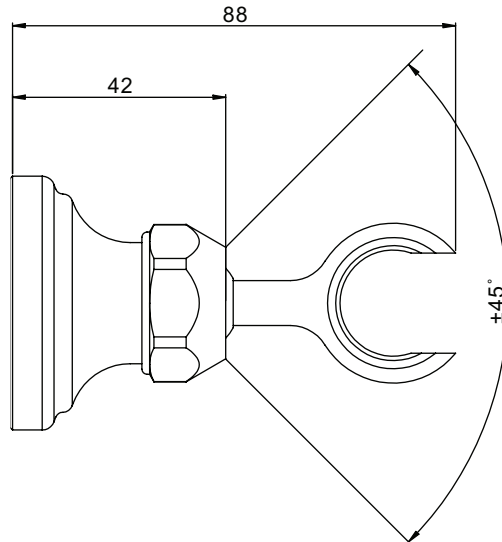
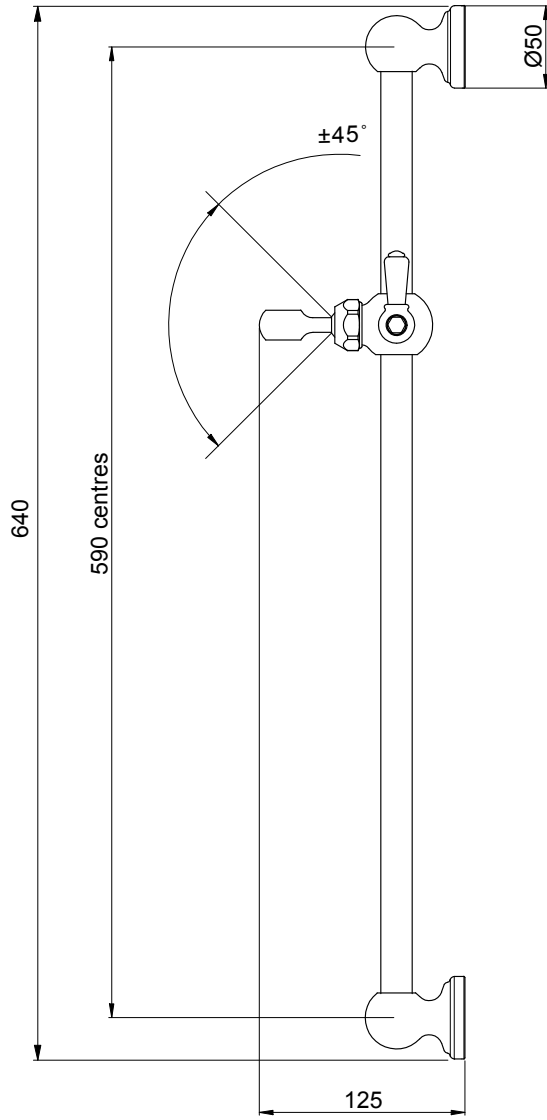


Specification Sheet - AU.5387 - Inclined handshower on hose  
and AU.5546 - Wall Outlet for handshower  
and either AU.5540 - Sliding rail with handshower bracket  
or AU.5544 - Handshower parking bracket

Specifications



# Specifications



- Made in England
- Premium quality tapware
- Produced from solid brass
- WaterMarked certified for compliance with Australia's tapware Standards
- Suitable for low and uneven water pressure. Max inlet pressure 500 kpa
- Select from Chrome, Nickel, Pewter, Gold, English Bronze or uncoated bare brass
- Five year warranty

SUPPLIER INFORMATION: Phone 03 9818 1403 or visit [www.englishtapware.com.au](http://www.englishtapware.com.au)



AS/NZS 3718  
WMKA02818  
SAI Global



© 2018 English Tapware