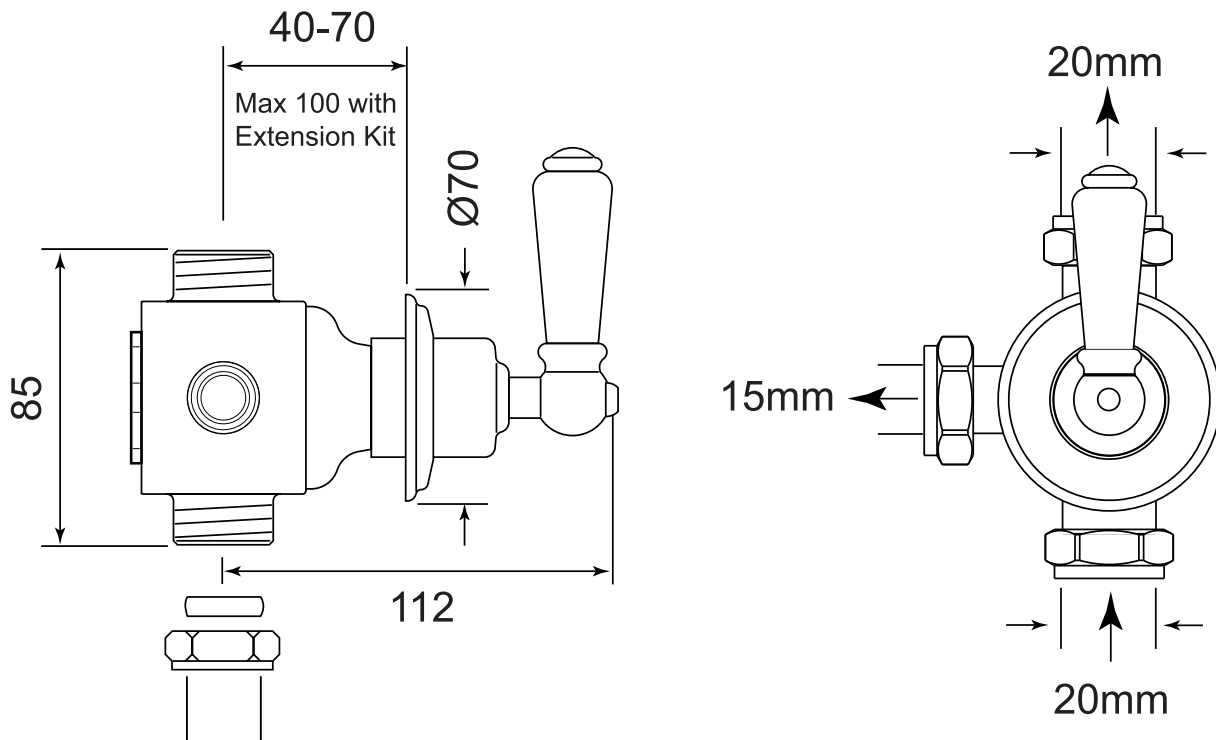


Specification Sheet - AU.5542

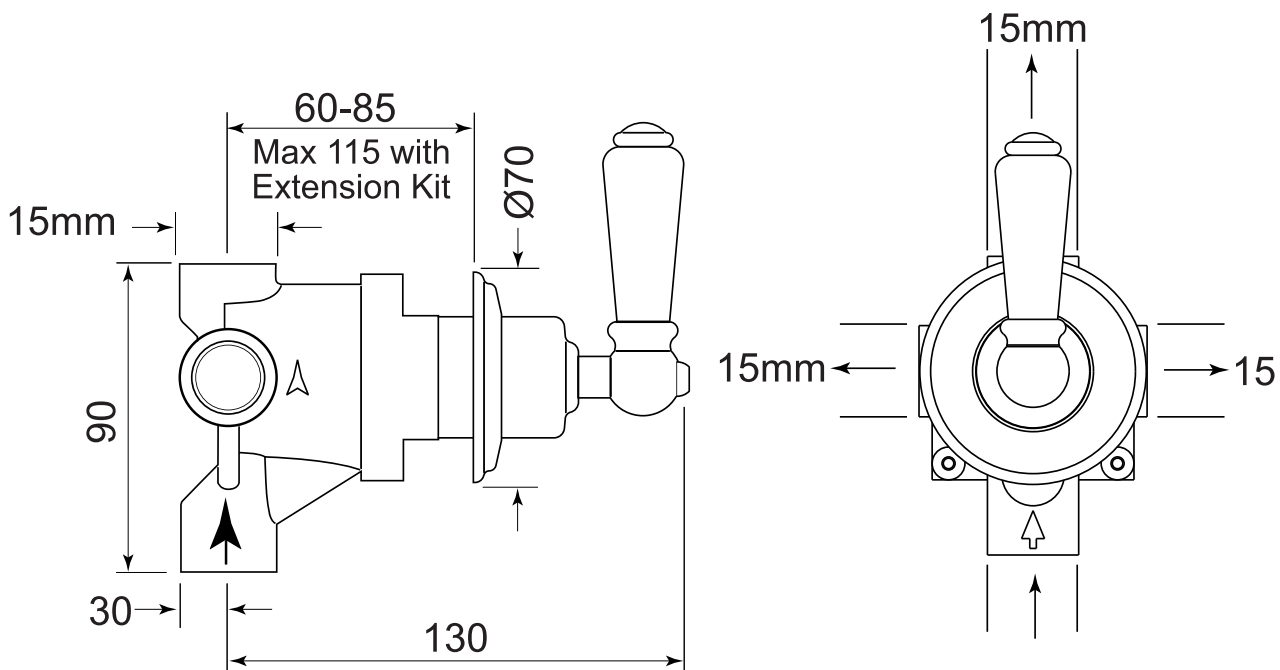
- 3 way shower diverter (1 inlet & 2 outlets)

Specifications



- Made in England
- Premium quality tapware
- Produced from solid brass
- German quarter-turn ceramic disc valves. Min 1°C - max 85°C
- Suitable for low and uneven water pressure. Max inlet pressure 500 kpa
- Select from Chrome, Nickel, Pewter, Gold, English Bronze or uncoated bare brass
- Five year warranty

Specification Sheet - AU.5562
- 4 way diverter (1 inlet & 3 outlets)



Specifications

- Made in England
- Premium quality tapware
- Produced from solid brass
- German quarter-turn ceramic disc valves. Min 1°C - max 85°C
- Suitable for low and uneven water pressure. Max inlet pressure 500 kpa
- Select from Chrome, Nickel, Pewter, Gold, English Bronze or uncoated bare brass
- Five year warranty