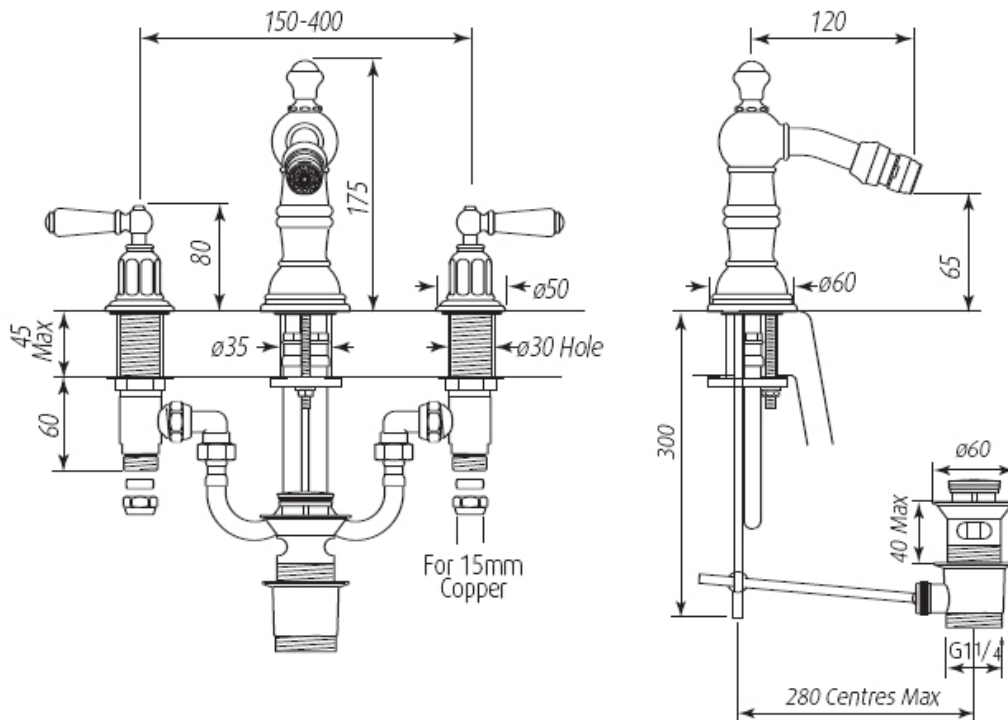


Specification Sheet - AU.3765

- Three hole bidet set with levers
& country spout



Specifications

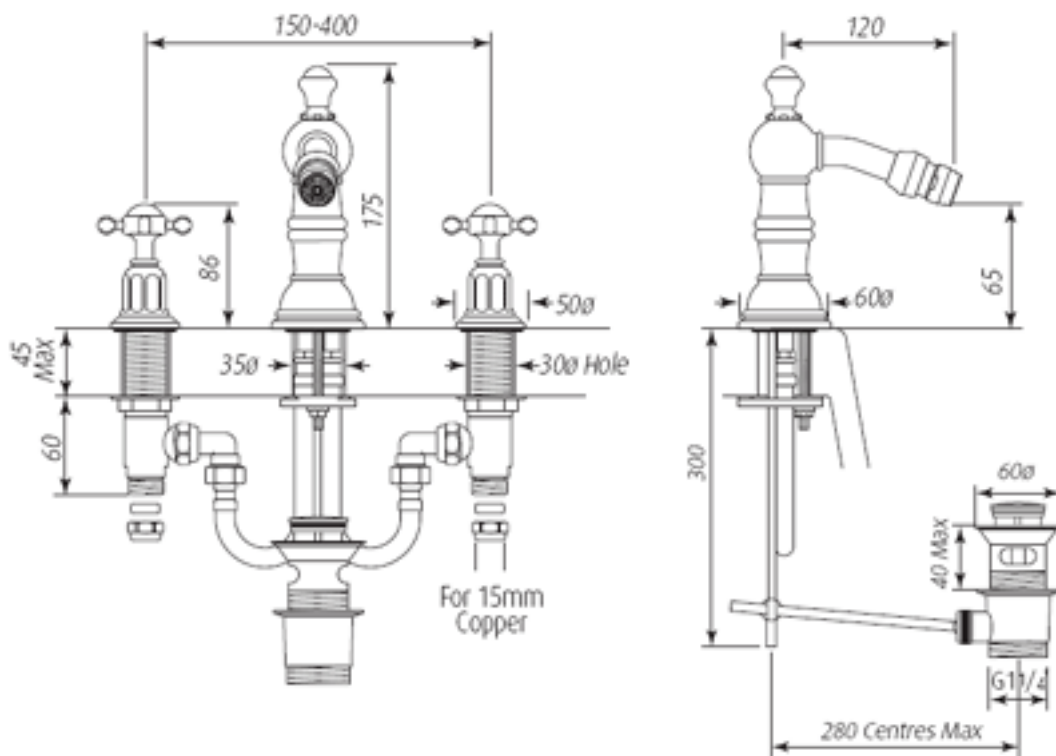
- Made in England
- Premium quality tapware
- Produced from solid brass
- German quarter-turn ceramic disc valves. Min 1°C - max 85°C
- Suitable for low and uneven water pressure. Max inlet pressure 500 kpa
- Select from Chrome, Nickel, Pewter, Gold, English Bronze or uncoated bare brass
- Five year warranty

CONTACT: 03 9818 1403 or visit www.englishtapware.com.au

Specification Sheet - AU.3766

- Three hole bidet set with crossheads
& country spout

Specifications



- Made in England
- Premium quality tapware
- Produced from solid brass
- German quarter-turn ceramic disc valves. Min 1°C - max 85°C
- Suitable for low and uneven water pressure. Max inlet pressure 500 kpa
- Select from Chrome, Nickel, Pewter, Gold, English Bronze or uncoated bare brass
- Five year warranty

CONTACT: 03 9818 1403 or visit www.englishtapware.com.au