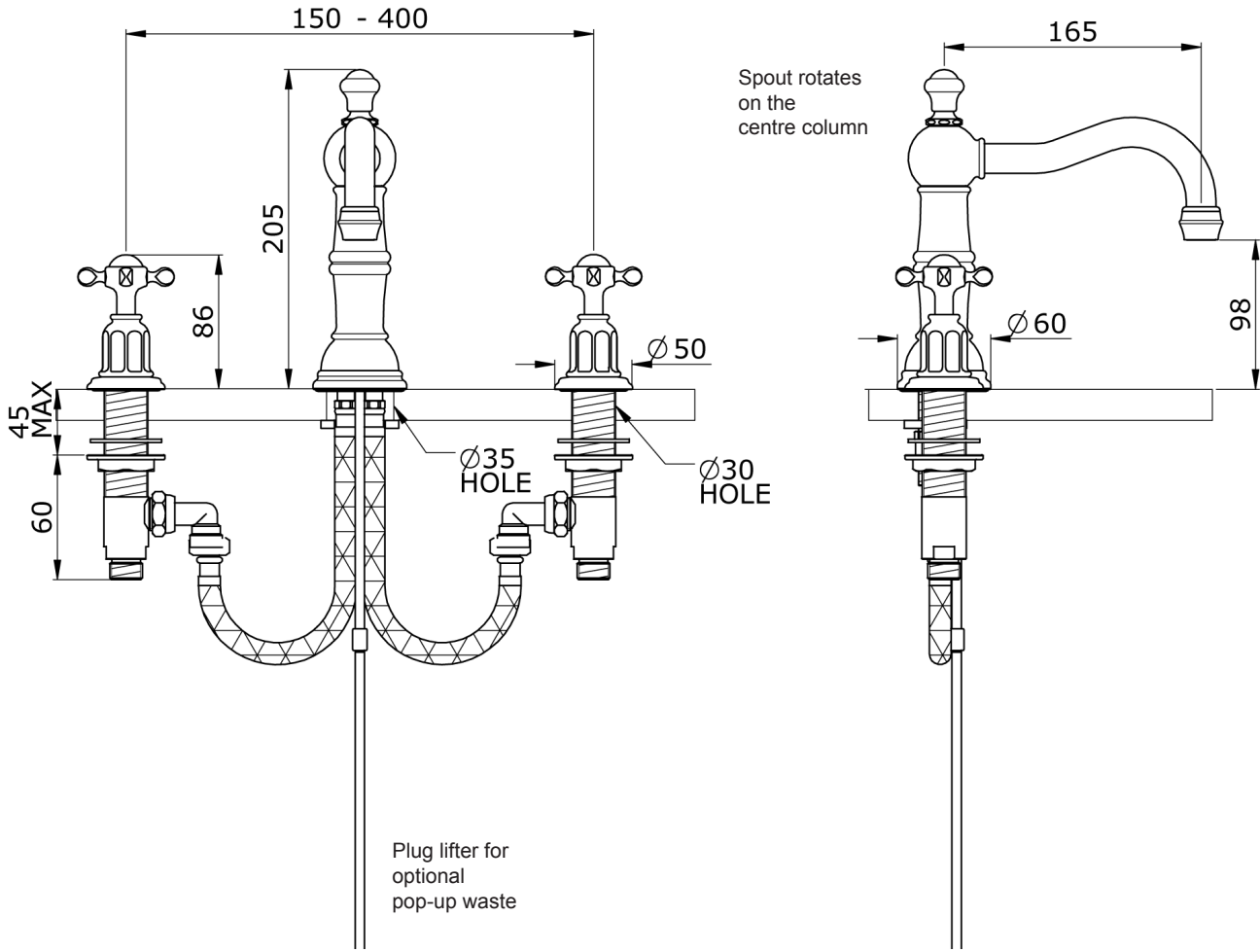


Specification Sheet - AU.3721  
- Three hole basin mixer with crossheads



Specifications

- Made in England
- Premium quality tapware
- Produced from solid brass
- WaterMarked certified for compliance with Australia's tapware Standards
- German quarter-turn ceramic disc valves. Min 1°C - max 85°C
- Suitable for low and uneven water pressure. Max inlet pressure 500 kpa
- Select from Chrome, Nickel, Pewter, Gold, English Bronze or uncoated bare brass
- Five year warranty

SUPPLIER INFORMATION: Phone 03 9818 1403 or visit [www.englishtapware.com.au](http://www.englishtapware.com.au)



**WaterMark**

AS/NZS 3718  
WMKA02818  
SAI Global



Perrin & Rowe tapware