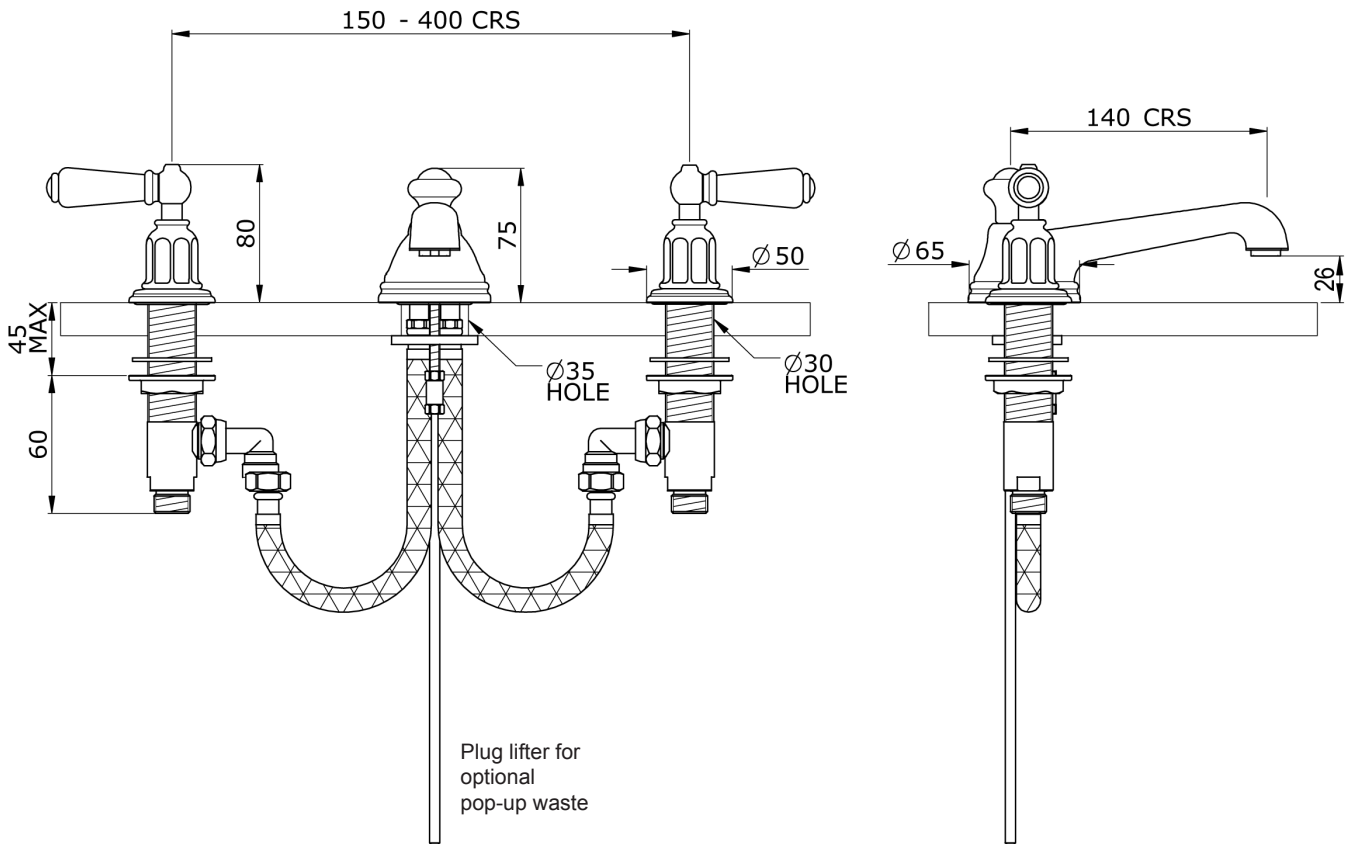


Specification Sheet - AU.3705
- Three hole basin mixer with low spout & levers

Specifications



- Made in England
- Premium quality tapware
- Produced from solid brass
- WaterMarked certified for compliance with Australia's tapware Standards
- German quarter-turn ceramic disc valves. Min 1°C - max 85°C
- Suitable for low and uneven water pressure. Max inlet pressure 500 kpa
- Select from Chrome, Nickel, Pewter, Gold, English Bronze or uncoated bare brass
- White porcelain lever handles can be changed to metal or Corian as an optional extra
- Five year warranty

SUPPLIER INFORMATION: Phone 03 9818 1403 or visit www.englishtapware.com.au



WaterMark
AS/NZS 3718
WMKA02818
SAI Global



Perrin & Rowe tapware