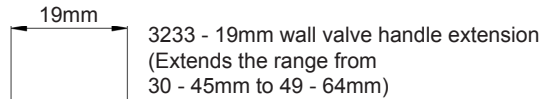
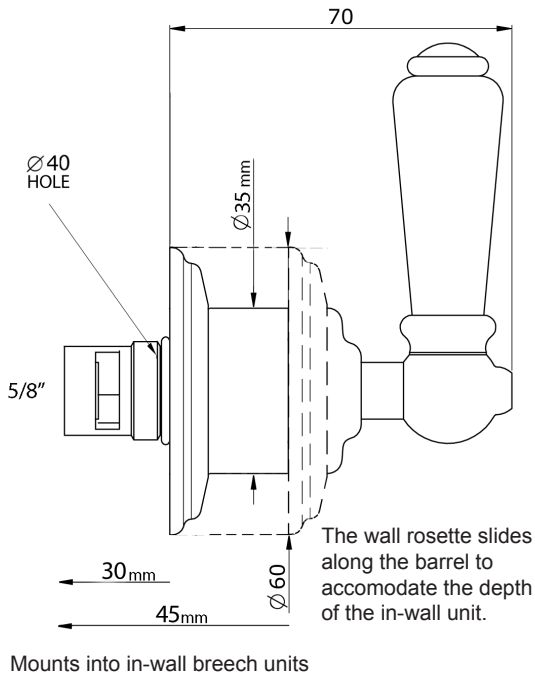
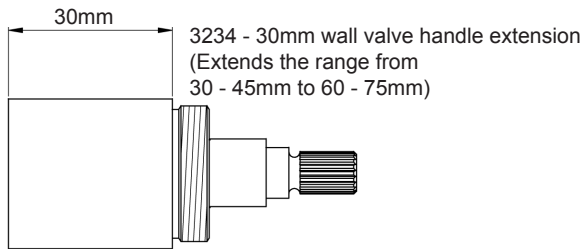


Specification Sheet - AU.3230
- Wall valve handle set with porcelain levers



NB: Wall extension kits optional extra.



NB: Wall extension kits optional extra.

- Made in England
- Premium quality tapware
- Produced from solid brass
- WaterMarked certified for compliance with Australia's tapware Standards
- German quarter-turn ceramic disc valves. Min 1°C - max 85°C
- Suitable for low and uneven water pressure. Max inlet pressure 500 kpa
- Select from Chrome, Nickel, Pewter, Gold, English Bronze or uncoated bare brass
- White porcelain lever handles can be changed to metal or Corian as an optional extra
- Available without red or blue indices for use as on/off taps in showers with multiple outlets
- Five year warranty