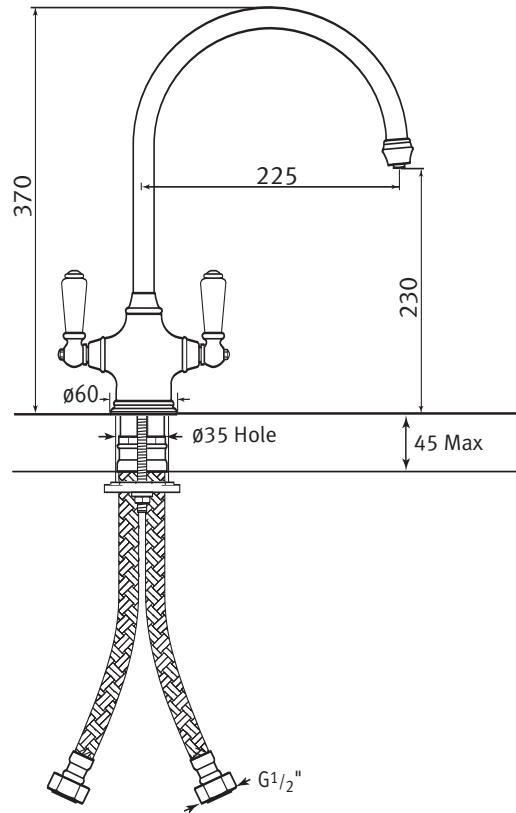


Specification Sheet - N.4460 - Phoenician

Specifications



- Made in England
- Produced from solid brass
- German quarter-turn ceramic disc valves. Min 5 degrees - max 85 degrees Celsius
- Premium quality tapware
- Suitable for low and uneven water pressure. Max inlet pressure 500 kpa
- Select from Chrome, Nickel, Pewter, Gold, English Bronze or uncoated bare brass
- White porcelain lever handles can be changed to metal or Corian as an optional extra
- Five year warranty

SUPPLIER INFORMATION: Phone 09 529 1222 or visit www.inres.co.nz



Perrin & Rowe tapware