



ACQUELLO
ITALIA

l'arte della terra



Acqua,
il mozzo
di vita.

ACQUELLO
ITALIA

l'arte della terra

L'arte della terra

Inspired by tradition and driven by design, Acquello elegantly couples the finest in centuries-old Italian craftsmanship with the latest in design innovation and technology.

Harnessing the perfect balance of water, earth & fire, Acquello's elementary vision encapsulates the values that define 21st century living- superior functionality and an unparalleled aesthetic appeal.

True Italian masterpieces.

The Collection

Designed with both the classical and contemporary setting in mind, the Acquello collection represents the finest in ceramic workmanship.

Perfection takes time.

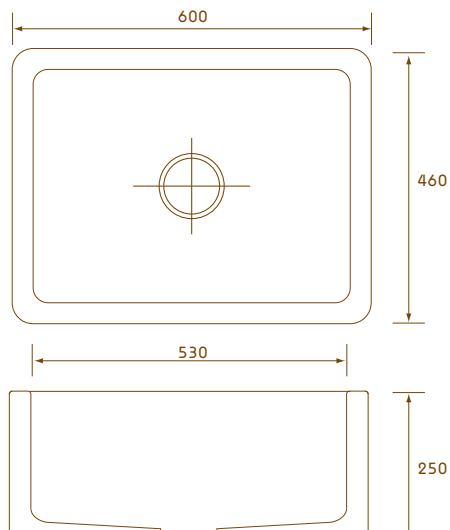
Each Acquello sink is patiently crafted in an unhurried construction process, taking more than four weeks to achieve its unrivalled quality. Robust 35mm thick walls provide exceptional strength and resistance to both impact and thermal shock. Their consistency of shape, straight sides, flat surface along the top edge and focused corners make them a cabinetmaker's dream.

The Acquello collection offers designers a range of sizes and installation options while its distinctive lines and functionality exhibit all the hallmarks of a design icon.

S600: SINGLE FIRECLAY SINK



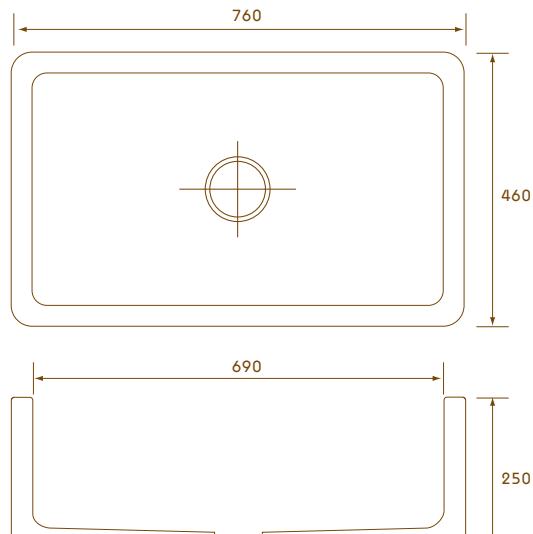
Produced in two sizes, the Acquello single fireclay sinks serve as ideal wet areas for food preparation, with their versatility highlighted by the generous size and ability to easily accommodate large pans and oven trays.



- Handcrafted in the traditional manner from robust fireclay
- 35mm thick walls for significant appearance and structural strength
- Install with front exposed in the traditional style, or fully enclosed as an under-mounted sink for a sleek, modern look
- Durable stainless steel basket strainer waste included

Due to the nature of fireclay production, actual dimensions can vary slightly from those shown. It is recommended that sinks are supplied to the cabinetmaker for accurate sizing prior to construction of the cabinets.

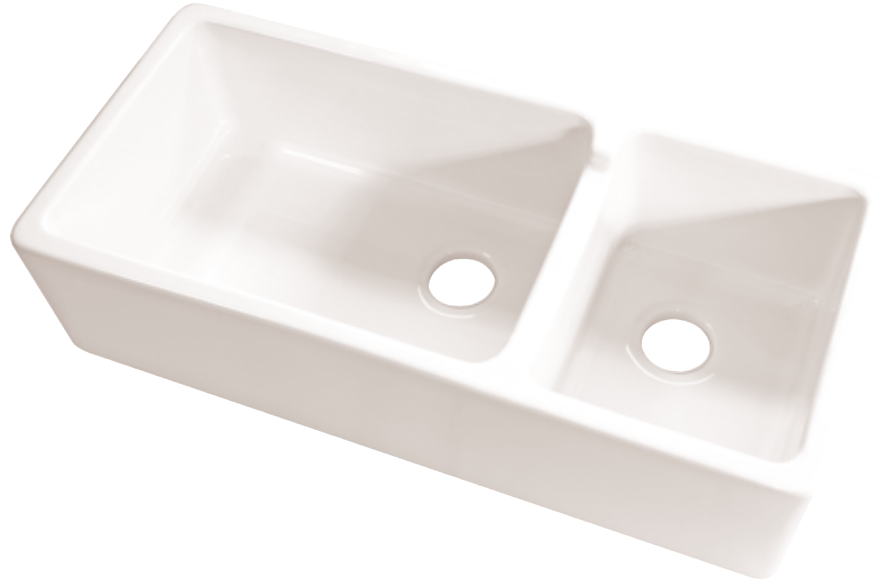
S760: SINGLE FIRECLAY SINK



- Handcrafted in the traditional manner from robust fireclay
- 35mm thick walls for significant appearance and structural strength
- Install with front exposed in the traditional style, or fully enclosed as an under-mounted sink for a sleek, modern look
- Durable stainless steel basket strainer waste included

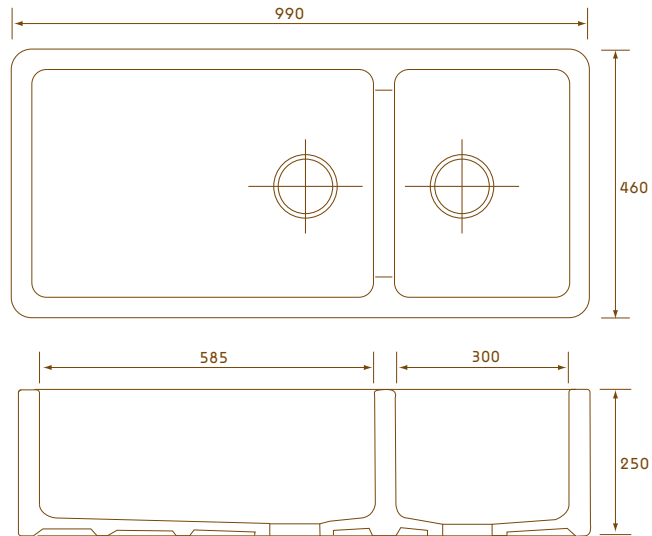
Due to the nature of fireclay production, actual dimensions can vary slightly from those shown. It is recommended that sinks are supplied to the cabinetmaker for accurate sizing prior to construction of the cabinets.

D990: DOUBLE FIRECLAY SINK



Regarded as the collection's flagship, the Acquello double features a large principal sink, designed for platters and cookware, as well as a generous secondary sink - a configuration that proves ideal for even the heaviest kitchen duties and the needs of the consummate entertainer.

The epitome of design and functionality it makes the perfect centrepiece of any kitchen. The recessed partition cleverly serves as an overflow for the main tub, while the secondary sink is perfect for light kitchen duties.



- Handcrafted in the traditional manner from robust fireclay
- 35mm thick walls for significant appearance and structural strength
- Install with front exposed in the traditional style, or fully enclosed as an under-mounted sink for a sleek, modern look
- Durable stainless steel basket strainer wastes included

Due to the nature of fireclay production, actual dimensions can vary slightly from those shown. It is recommended that sinks are supplied to the cabinetmaker for accurate sizing prior to construction of the cabinets.

Installation

Refined for today's kitchen requirements, Acquello fireclay sinks have been designed for seamless and easy installation. Strict production tolerances ensure consistent form, focused corners and flat surfaces, making it ideal for flush or under mounted bench top installations as well as the traditional apron style with exposed front.

There can be small variances in dimensions and as such we recommend your fireclay sink be supplied to the cabinetmaker prior to manufacture of the cabinets.

Waste outlets are designed to accommodate a basket strainer waste or waste disposal unit fitted with an extended collar.

Care & Maintenance

To ensure longevity of all fireclay sink surfaces, it is recommended that for cleaning simply use a soft cloth and non-abrasive cleaning product.

Acquello fireclay sinks are supplied with Italian made stainless steel basket strainer wastes and a custom designed sink protector rack. These protector racks serve the dual purpose of protecting your glassware and plates during washing and also protecting the bottom of the sink from heavy cookware.

ACQUELLO ITALIA

> AUSTRALIA

The English Tapware Company
Freephone: 1300 01 61 81
www.englishtapware.com.au

> NEW ZEALAND

In Residence
Telephone: 09 309 30 23
www.inres.co.nz

WWW.ACQUELLO.COM.AU